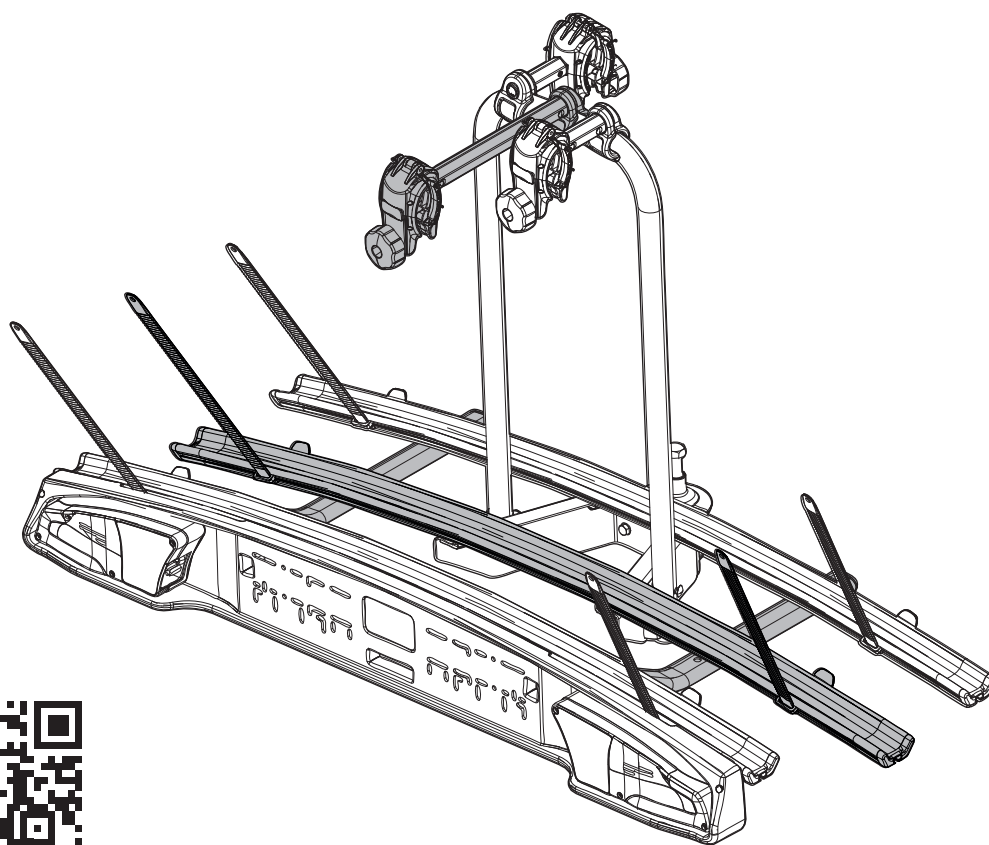


# MENABO

free time on the move

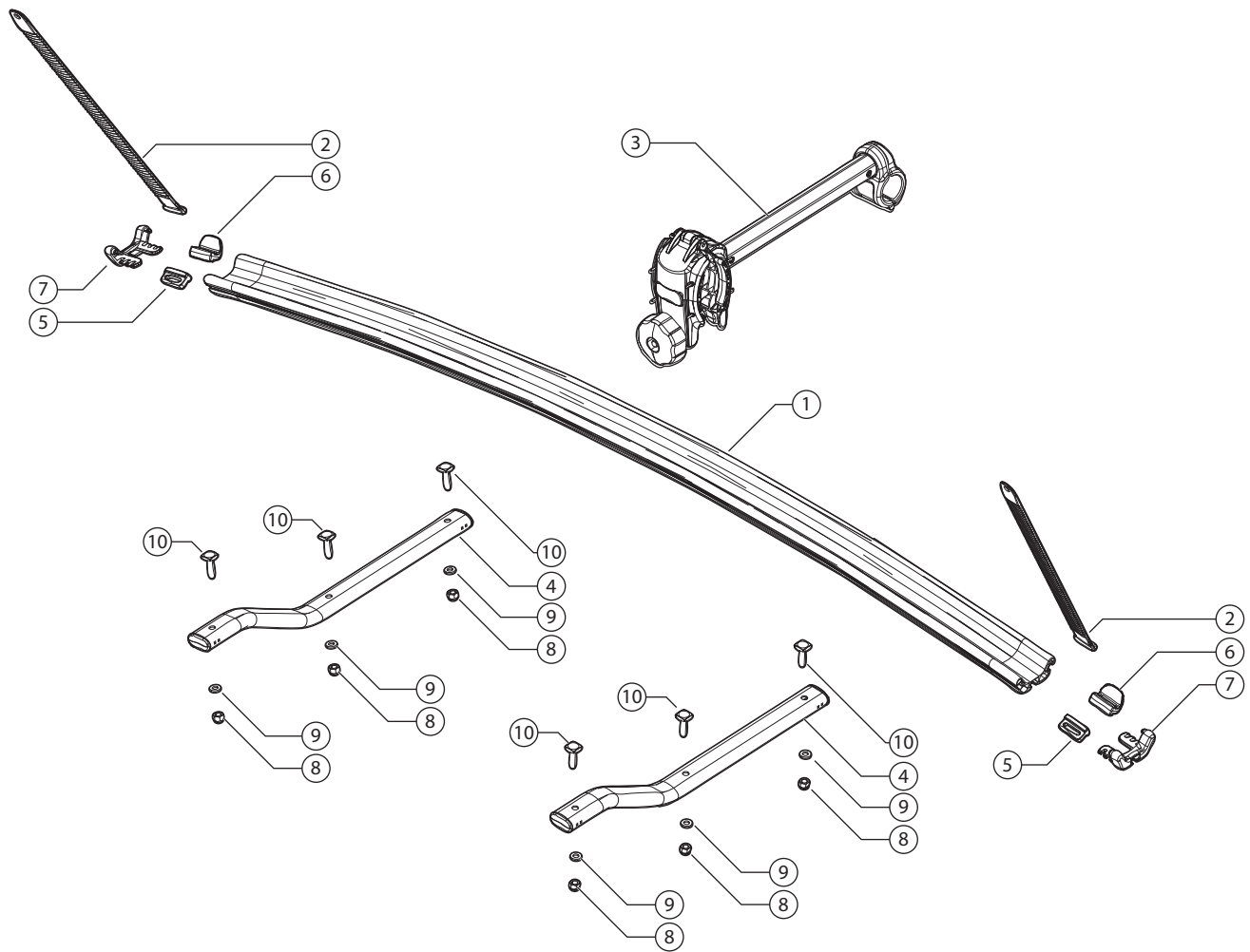
## KIT+1 MERAK

|    |                           |    |                            |
|----|---------------------------|----|----------------------------|
| IT | Istruzioni di montaggio   | LV | Pritvirtinimo instrukcijas |
| EN | Fitting instructions      | NL | Instrukcja montażu         |
| DE | Montageanleitung          | NO | Monteringsveiledning       |
| FR | Instructions de montage   | PL | Instrukcja montażu         |
| ES | Instrucciones de montaje  | PT | Instruções de Montagem     |
| CS | Návod na montáž           | RO | Instrucțiuni de montare    |
| DA | Monteringsvejledning      | RU | Инструкции по установке    |
| EL | Οδηγίες συναρμολόγησης    | SK | Návod na montáž            |
| ET | Paigaldusjuhend           | SL | Navodila za pritrjevanje   |
| FI | Asennusohje               | SV | Monteringsanvisning        |
| HR | Uputa za sastavljanje     | TK | Uydurma talimat            |
| HU | A felszerelés módja       | ZH | 裝修指導                       |
| LT | Stiprināšanas instrukcija | AR | تعليمات التجميع            |



Made in Italy

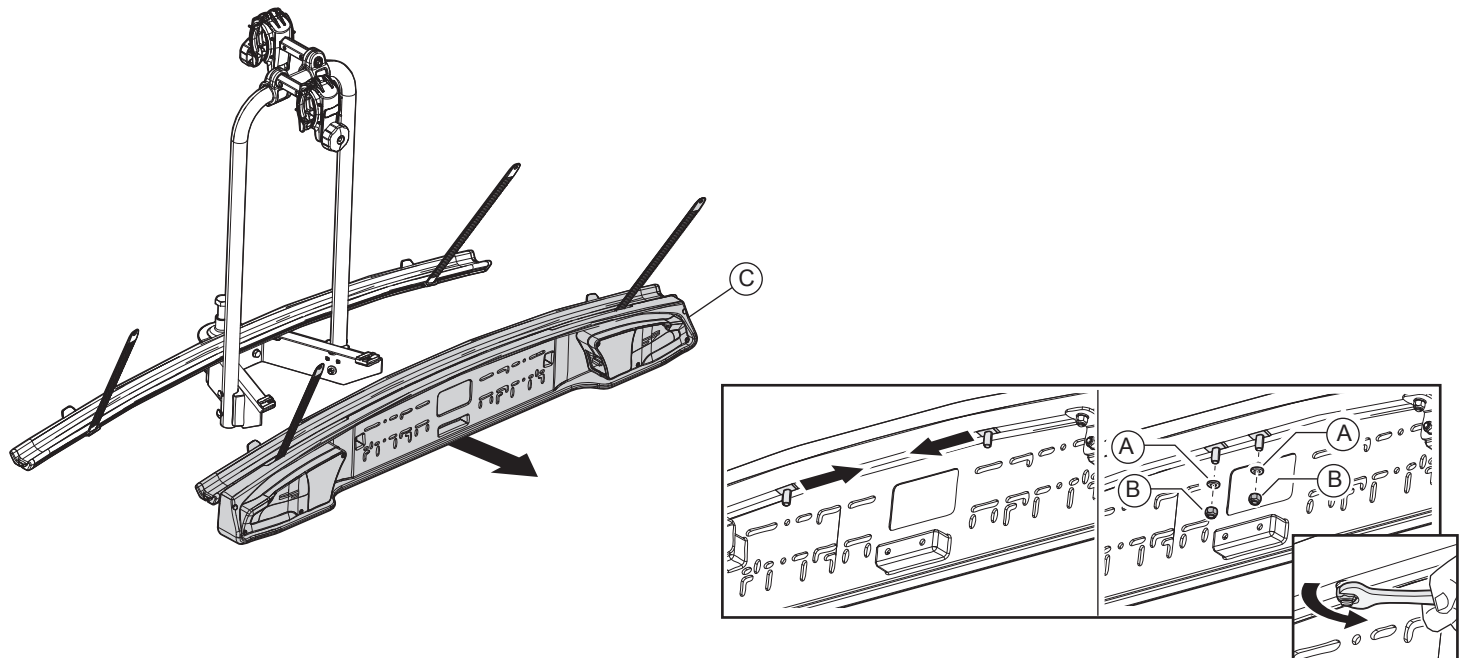
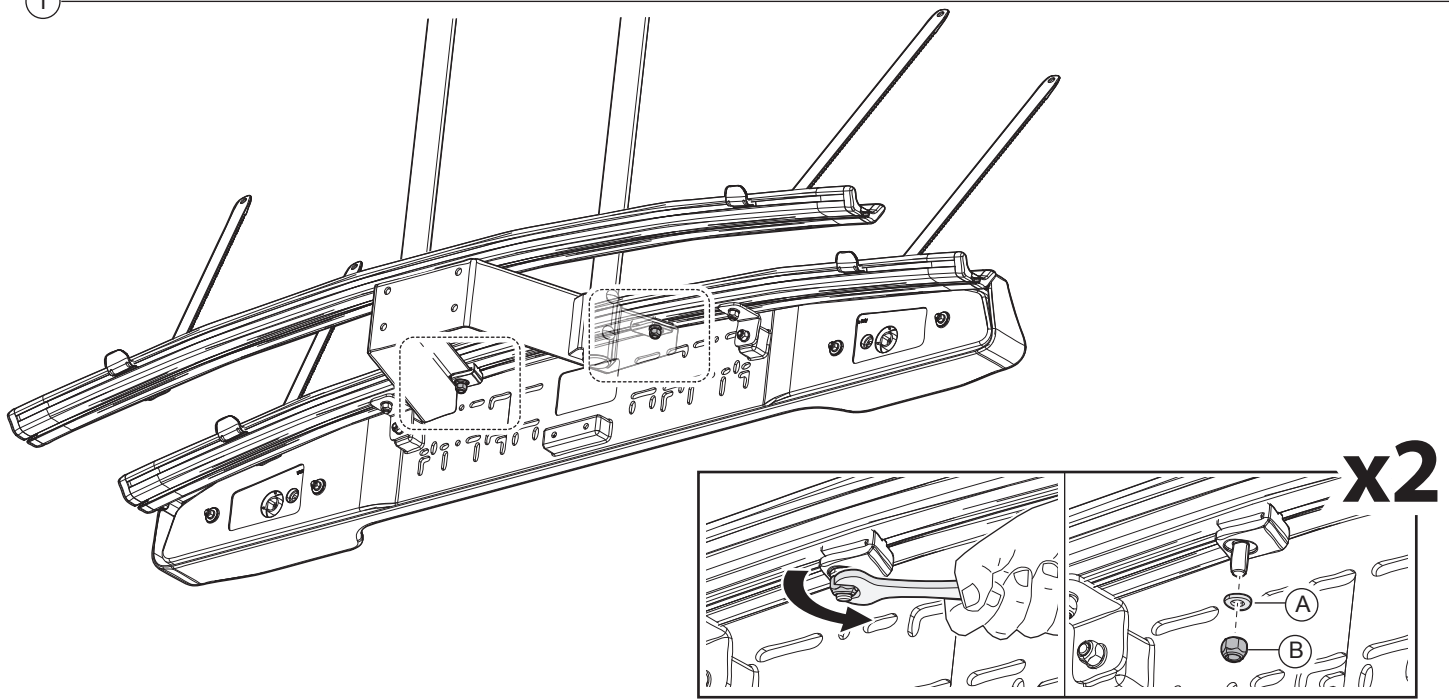




| N. | [IT]Componenti (Inclusi)<br>[EN]Components (Included)<br>[FR]Composants (Comprises)<br>[DE]Die Komponenten (im Lieferumfang enthalten)<br>[ES]Componentes (Incluido) | Q. |
|----|--|----|
| 1  |  | 1  |
| 2  |  | 2  |
| 3  |  | 1  |
| 4  |  | 2  |
| 5  |  | 2  |
| 6  |  | 2  |
| 7  |  | 2  |
| 8  |  | 8  |
| 9  |  | 8  |
| 10 |  | 8  |

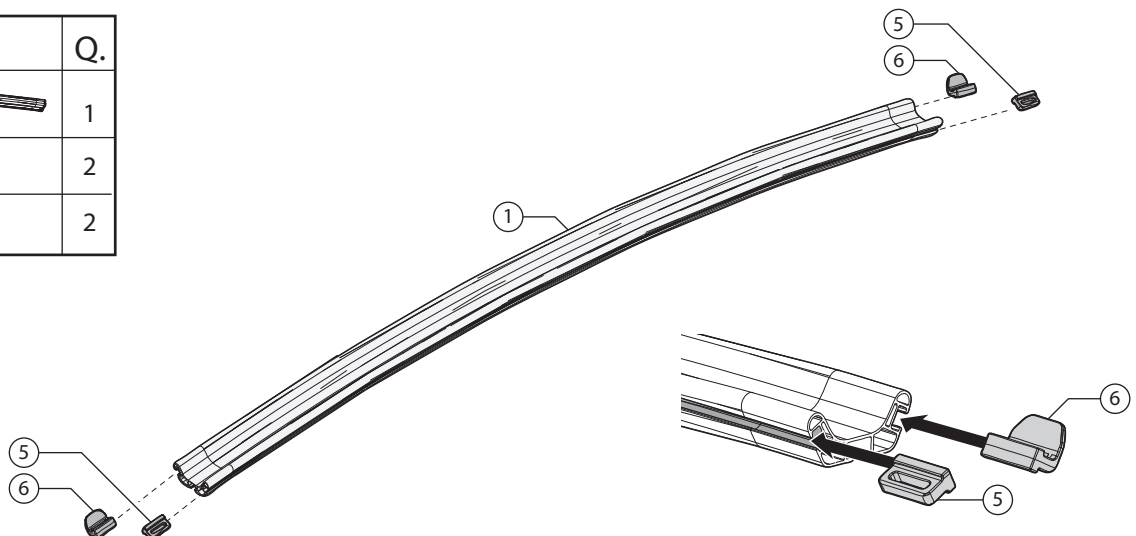
| N. | [IT]Ricambi (A Richiesta)<br>[EN]Spare Parts (Made to order)<br>[FR]Pièces de rechange (Sur commande)<br>[DE]E Teile (auf Anfrage)<br>[ES]Piezas de recambio (Previa solicitud) | Q. | Codice-Code-Código |
|----|---|----|--------------------|
| 2  |   | 1  | 700003800000       |
| 5  |   | 2  |                    |
| 6  |   | 1  |                    |
| 3  |   | 1  | 700003100000       |
| 7  |   | 2  | 700003900000       |
| 8  |   | 8  | 700037100000       |
| 9  |   | 8  |                    |
| 10 |   | 8  |                    |

1





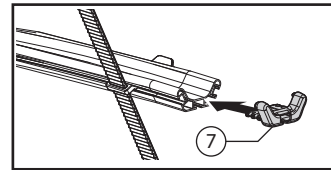
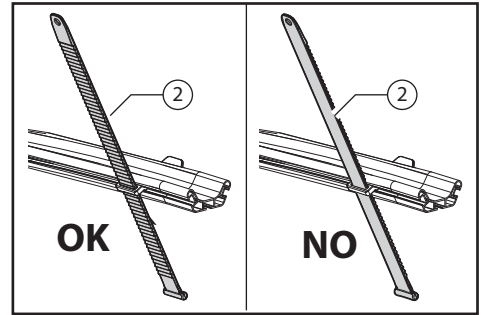
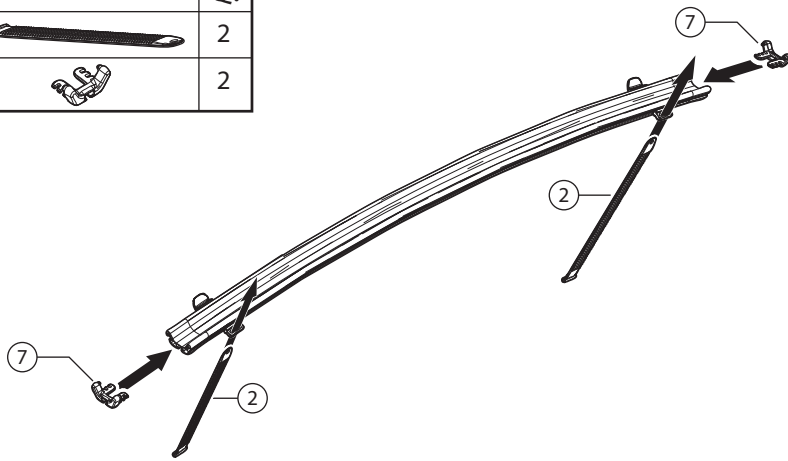
2

| N. |  | Q. |
|----|--|----|
| 1  |  | 1  |
| 5  |  | 2  |
| 6  |  | 2  |



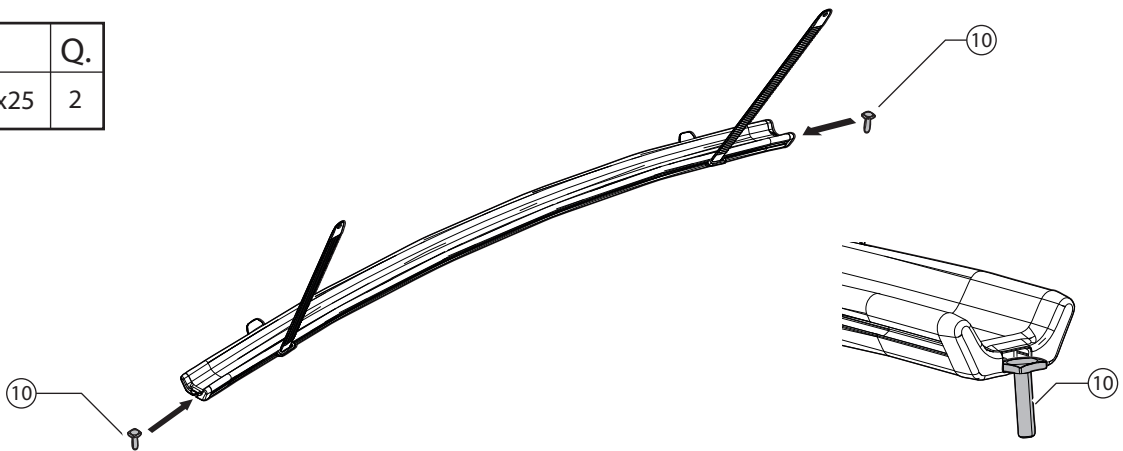
3

| N. |   | Q. |
|----|---|----|
| 2  |  | 2  |
| 7  |  | 2  |

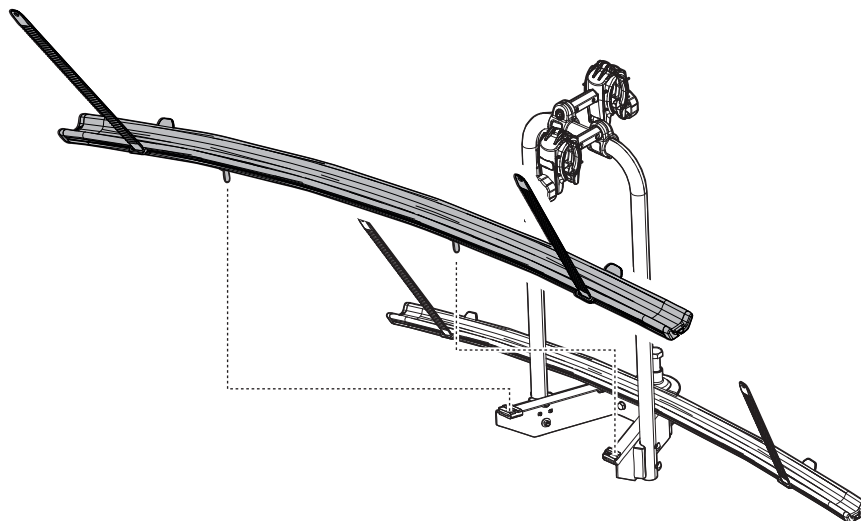




4

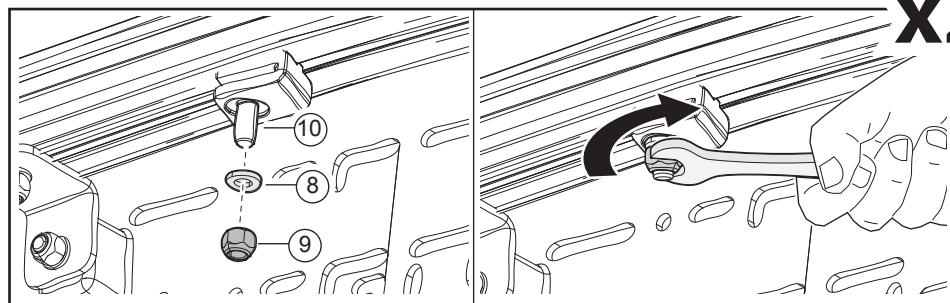
| N. |   | Q. |
|----|---|----|
| 10 |  M6x25 | 2  |



5



| N. |   | Q. |
|----|---|----|
| 8  |  M6    | 1  |
| 9  |  Ø6x12 | 1  |

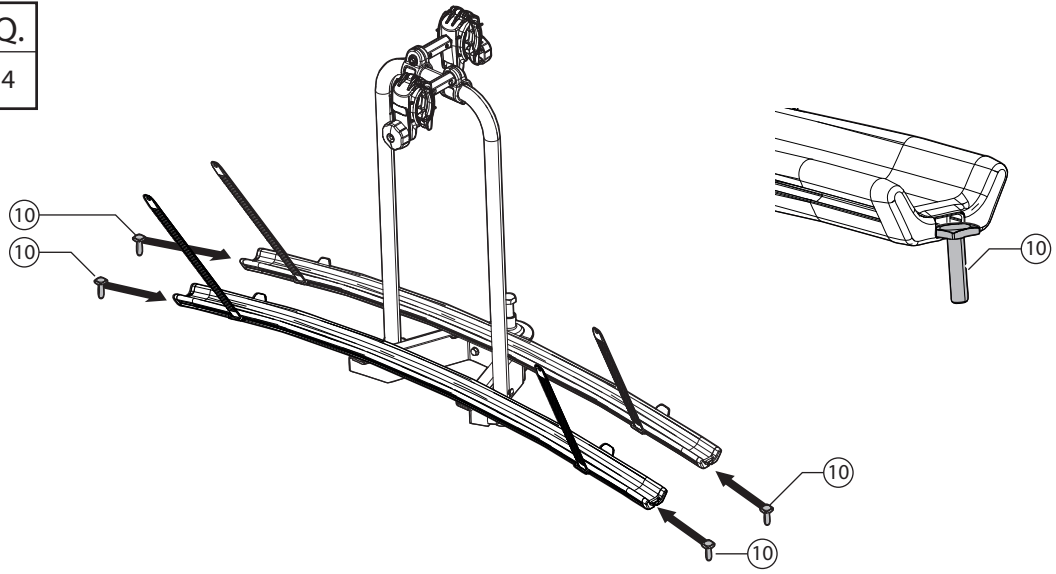


x2






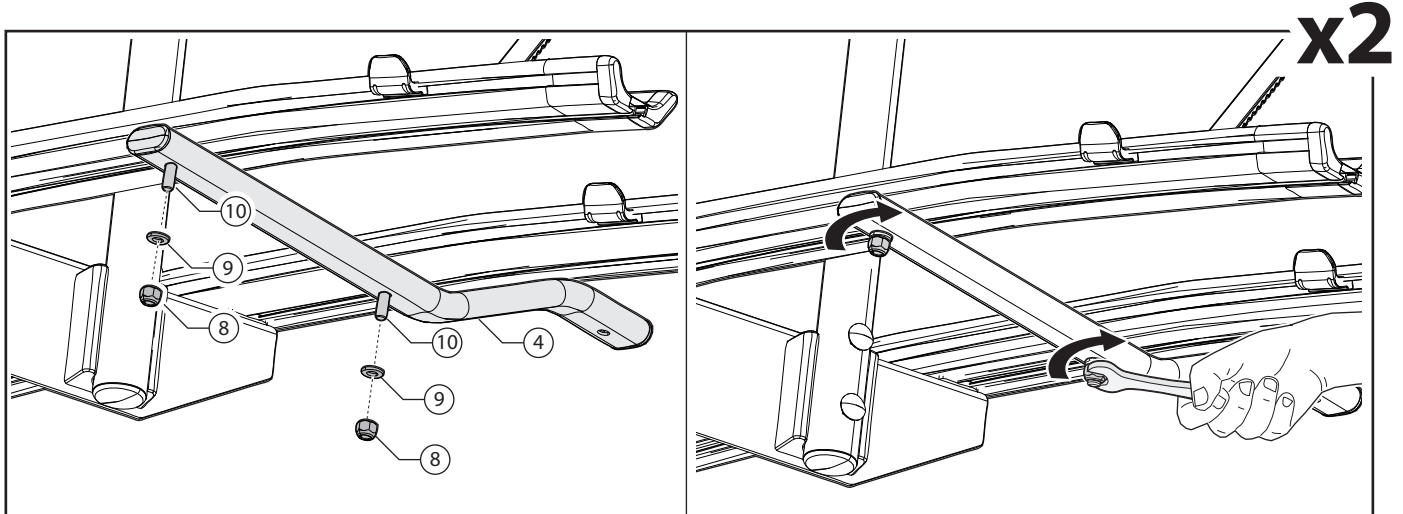
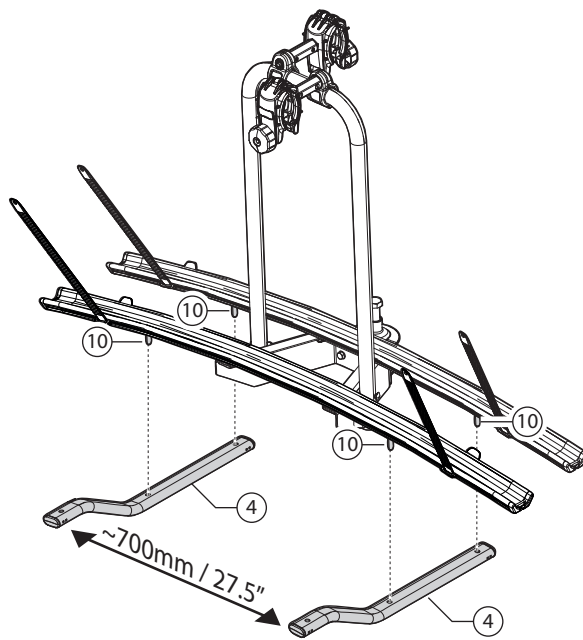
6

| N. |   | Q. |
|----|---|----|
| 10 |  M6x25 | 4  |






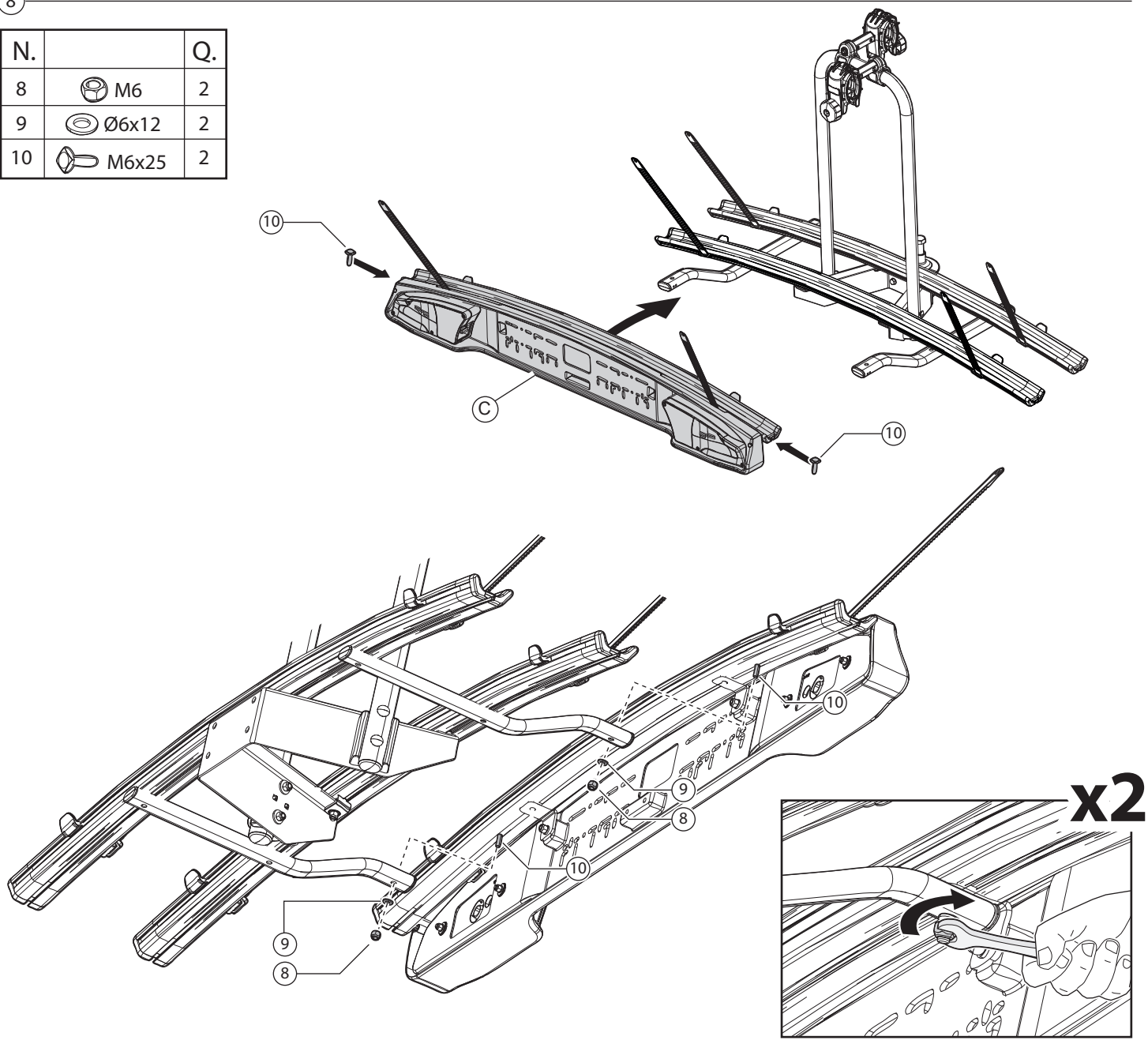
7

| N. |   | Q. |
|----|---|----|
| 4  |         | 1  |
| 8  |  M6    | 2  |
| 9  |  Ø6x12 | 2  |




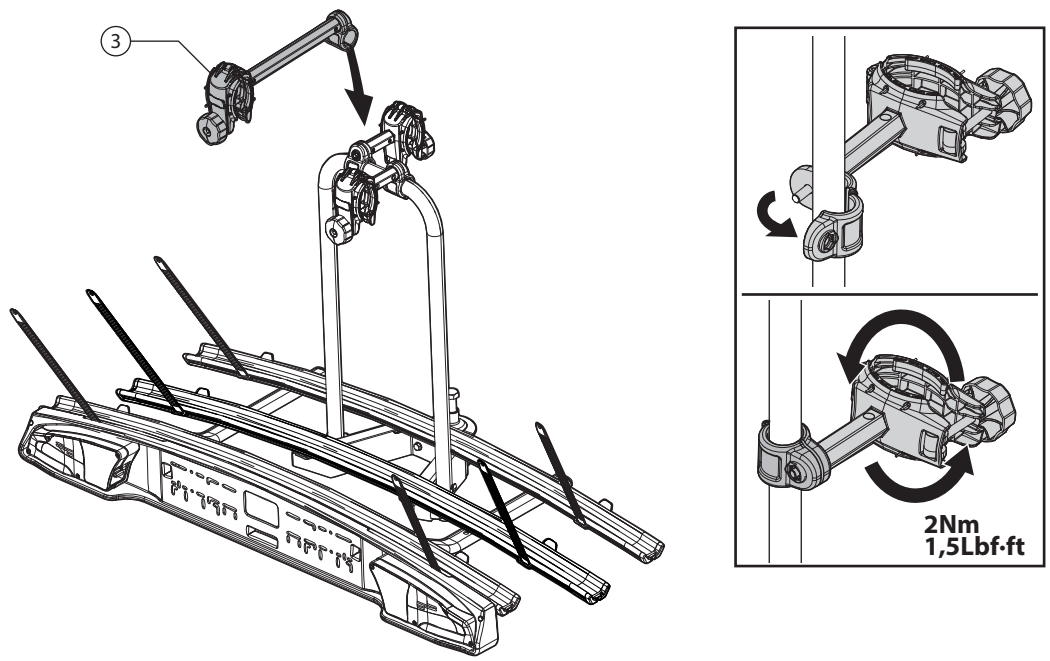
8

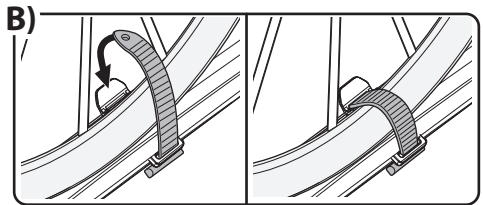
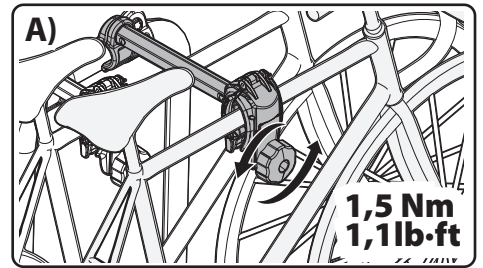
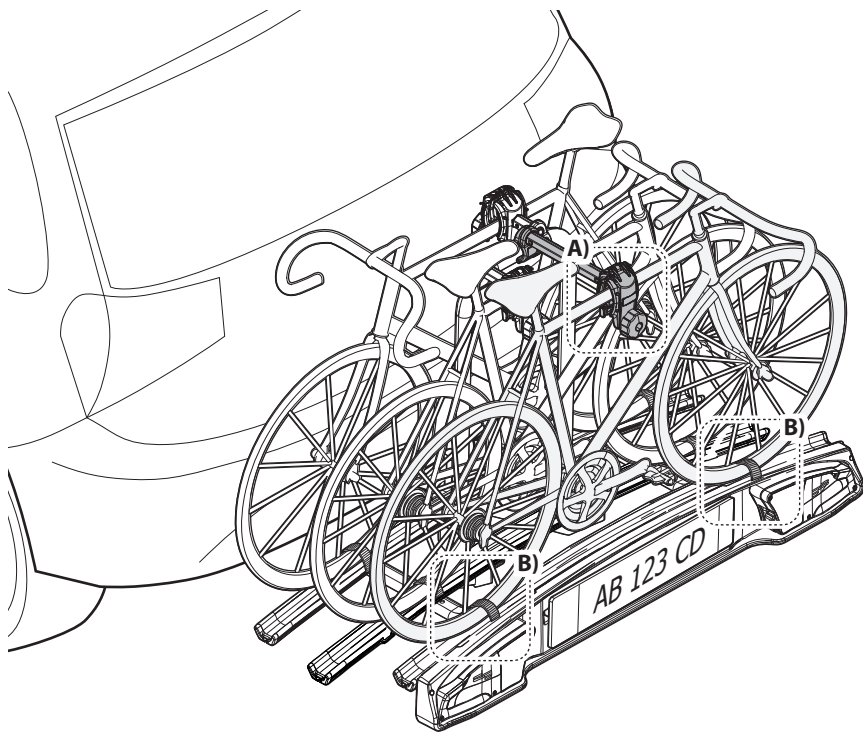
| N. |   | Q. |
|----|---|----|
| 8  |  M6    | 2  |
| 9  |  Ø6x12 | 2  |
| 10 |  M6x25 | 2  |



9

| N. |   | Q. |
|----|---|----|
| 3  |  | 1  |





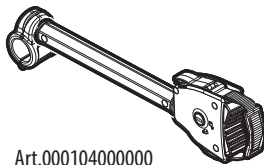
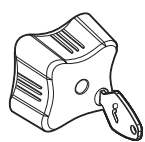
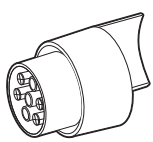
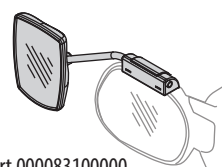

|  |                         |                                   |             |           |      |                 |  |  |
|--|-------------------------|-----------------------------------|-------------|-----------|------|-----------------|--|--|
| <b>MAX</b><br><br><b>94/20/CE STANDARD</b> | <br><b>Merak Type S</b> | <br>2,5kg / 5.5lb<br><b>Kit+1</b> | Standard x3 | E-bike x1 | <br> |                 |  |  |
|  |                         |                                   |             | OR        |      | MAX 25kg - 55lb |  |  |
|  |                         |                                   |             |           |      | 37,9kg / 83.5lb |  |  |
|  |                         |                                   |             |           |      | 45kg / 99lb     |  |  |
|  |                         |                                   |             |           |      | 45kg / 99lb     |  |  |
|  |                         |                                   |             |           |      | 45kg / 99lb     |  |  |
| 50 kg - 110,2lb                            | 9,6 kg / 21lb           | 12,1 kg / 26.5lb                  |             |           |      |                 |  |  |
| 60 kg - 132,3lb                            |                         |                                   |             |           |      |                 |  |  |
| 70 kg - 154,3lb                            |                         |                                   |             |           |      |                 |  |  |
| 80 kg - 176,4lb                            |                         |                                   |             |           |      |                 |  |  |
| >80 kg - 176,4lb                           |                         |                                   |             |           |      |                 |  |  |

|  |                         |                                   |             |           |      |                 |  |  |
|--|-------------------------|-----------------------------------|-------------|-----------|------|-----------------|--|--|
| <b>MAX</b><br><br><b>94/20/CE STANDARD</b> | <br><b>Merak Type K</b> | <br>2,5kg / 5.5lb<br><b>Kit+1</b> | Standard x3 | E-bike x1 | <br> |                 |  |  |
|  |                         |                                   |             | OR        |      | MAX 25kg - 55lb |  |  |
|  |                         |                                   |             |           |      | 36,9kg / 81.3lb |  |  |
|  |                         |                                   |             |           |      | 45kg / 99lb     |  |  |
|  |                         |                                   |             |           |      | 45kg / 99lb     |  |  |
|  |                         |                                   |             |           |      | 45kg / 99lb     |  |  |
| 50 kg - 110,2lb                            | 10,6 kg / 23.3lb        | 13,1 kg / 28.8lb                  |             |           |      |                 |  |  |
| 60 kg - 132,3lb                            |                         |                                   |             |           |      |                 |  |  |
| 70 kg - 154,3lb                            |                         |                                   |             |           |      |                 |  |  |
| 80 kg - 176,4lb                            |                         |                                   |             |           |      |                 |  |  |
| >80 kg - 176,4lb                           |                         |                                   |             |           |      |                 |  |  |

|  |                         |                                   |             |           |      |                 |  |  |
|--|-------------------------|-----------------------------------|-------------|-----------|------|-----------------|--|--|
| <b>MAX</b><br><br><b>94/20/CE STANDARD</b> | <br><b>Merak Type Q</b> | <br>2,5kg / 5.5lb<br><b>Kit+1</b> | Standard x3 | E-bike x1 | <br> |                 |  |  |
|  |                         |                                   |             | OR        |      | MAX 25kg - 55lb |  |  |
|  |                         |                                   |             |           |      | 35,8kg / 79lb   |  |  |
|  |                         |                                   |             |           |      | 45kg / 99lb     |  |  |
|  |                         |                                   |             |           |      | 45kg / 99lb     |  |  |
|  |                         |                                   |             |           |      | 45kg / 99lb     |  |  |
| 50 kg - 110,2lb                            | 11,7kg / 25.8lb         | 14,2kg / 31.3lb                   |             |           |      |                 |  |  |
| 60 kg - 132,3lb                            |                         |                                   |             |           |      |                 |  |  |
| 70 kg - 154,3lb                            |                         |                                   |             |           |      |                 |  |  |
| 80 kg - 176,4lb                            |                         |                                   |             |           |      |                 |  |  |
| >80 kg - 176,4lb                           |                         |                                   |             |           |      |                 |  |  |

| OPTIONAL  |   |  |
|---|---|--|
| <p><b>BRACCETTO LUNGO</b></p>  <p>Art.000104000000</p> | <p><b>POMELLO ANTIFURTO</b></p>  <p>Art.000026400000</p> | <p><b>ADATTATORE 7 PIN</b></p>  <p>Art.700016400000</p> |
| <p><b>EVIDENCE MIRROR</b></p>  <p>Art.000083100000</p> | <p><b>RAMPA</b></p>  <p>Art.000082100000</p>             |  |

